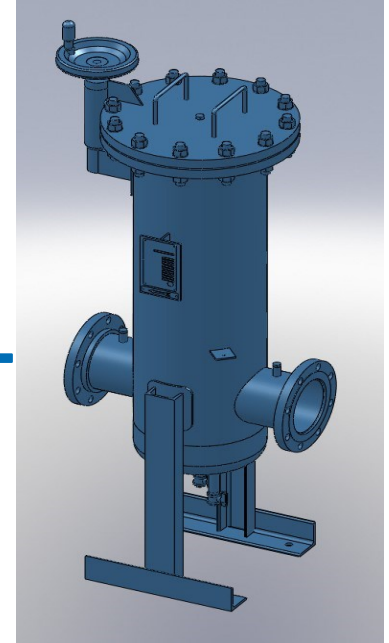


Flanged housing filter ACF - SCF

Main features

- Suitable for installing a wide range of filter elements for compressed air and gas treatment
- In line flanged connections .
- Device for filter quick opening.
- The coalescent filters with supports are provided with 2 separate drains for the liquid phases discharge, one upstream and one downstream of the cartridges, to improve separation efficiency.



Materials

- Carbon steel (ACF serie)
- AISI 304 stainless steel (SCF serie)

Surface finishing

- External: high strength epoxy paint for the ACF version - brushed for the SCF version
- Internal: sandblasting for the ACF version - pickling for the SCF version

Design and construction

- Suitable for fluids of group 2 not dangerous in accordance with CE 1272.
- In compliance to PED European Directive
- Design pressure 10 bar

Certifications

- UE declaration of conformity PED and user guide are supplied with the product

Filtering element series	RETINOX	AIR VIP EVO - REVERSE FINCELL					FINCELL			
	5 – 500	RM	RB	RD	RA	CA	DM	DB	RF	DE
Filtration rating	5 – 500	RM	RB	RD	RA	CA	DM	DB	RF	DE
Solid particles removal (micron)	da 5 a 500	10	1	0,1	0,01	Carbone attivo	15	5	1	0,05
Coalescent - oil released (ppm)	--	-	0,1	0,1	0,01	0,003	-	-	-	-
Max temperature (C°)	150	110	110	120	110	50	110	110	110	110
Flow direction	OUT/IN	IN / OUT					OUT/IN			
Filter media configuration	Pleated to provide high filtering area									

Accessories

Automatic float condensate drains XAD series or electronic XAE series

Flanged housing filter ACF - SCF

Filters model ACF—SCF	* Flowrate		Connection		Pressure barg	Filter element		Weight Kg	Nominal dimention mm				
	mc/h	CFM	In-Out	Drain		Q.tà	size		A	B	C	D	Fig.
2200	2.200	1.276	3"ANSI 150	1/2" F	10	1	2200/4002	60	450	1125	184	700	1
3600	3.600	2.088	4"ANSI 150			2	2200/4002	110	550	1548	570	700	2
3750	3.750	2.175	4"ANSI 150			3	1250	95	600	1425	700	260	1
5800	5800	3.364	6"ANSI 150			3	2200/4002	190	600	1615	620	700	2
8600	8600	4.988	6" ANSI 150			4	2200/4002	230	720	1640	640	700	
14000	14000	8.120	8" ANSI 150			6	2200/4002	300	750	1640	680	700	
19200	19200	11.136	10" ANSI 150	8		2200/4002	380	800	1715	730	700		
22000	22000	12.760	10" ANSI 150	10		2200/4002	430	870	1960	750	700		
33000	33000	19.140	12" ANSI 150	1" F		15	2200/4002	560	870	2095	800	700	

*Flow rates is referred to air at 20°C, 1 bar (a), and compressed at 7 bar; the flow rate has to be multiplied by K factor when operating pressure is different from 7 bar.

On line pressure	barg	1	2	3	4	5	6	7	8	9	10
Correction factor	K	0,38	0,53	0,65	0,75	0,80	0,90	1	1,10	1,15	1,20

Code information

Series	-	Models	-	Differential pressure gauge	-	Version
ACF	Carbon Steel	dal 2200 al 33000	See table	M1	-	C
SCF	AISI 304 stainless st.			M2		P
				00		

Example code: **ACF-5800-00-C**

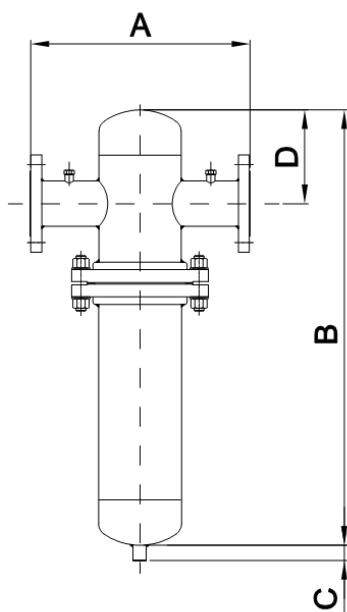


Fig.1

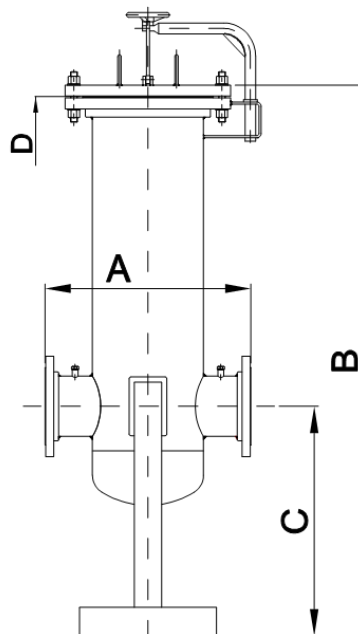


Fig.2

Data contained in this bulletin are informative and subject to change without notice.

User is responsible for determining whether the product is fit for particular purpose and suitable for User's method of application.



Bea Technologies Spa Via Newton, 4 - 20016 Pero (Milano) ITALY
 Tel +39 02 339271 FAX +39 02 3390713 e-mail: info@bea-italy.com
 web: www.bea-italy.com